

Customer Information Sheet

DRAWING No.: M22-533XX05

IF IN DOUBT - ASK

©

NOT TO SCALE

THIRD ANGLE PROJECTION

ALL DIMENSIONS IN mm

ORDER CODE:

M22-533XX05

No. OF WAYS
02 TO 40

SPECIFICATION:

MATERIAL:

MOULDING = NYLON 6T UL94V-0, BLACK

CONTACT = BRASS

FINISH:

CONTACT = GOLD

ELECTRICAL:

CURRENT RATING = 1.0A

CONTACT RESISTANCE = 20 MILLIOHMS MAX

INSULATION RESISTANCE = 5,000 MEGOHMS MIN

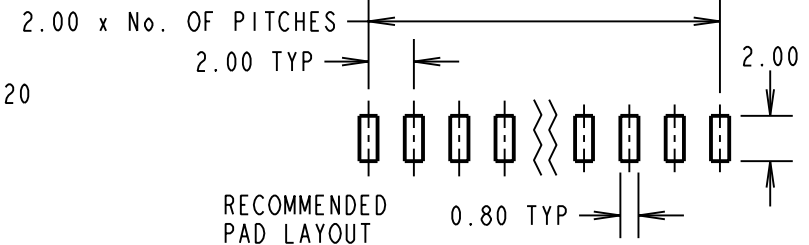
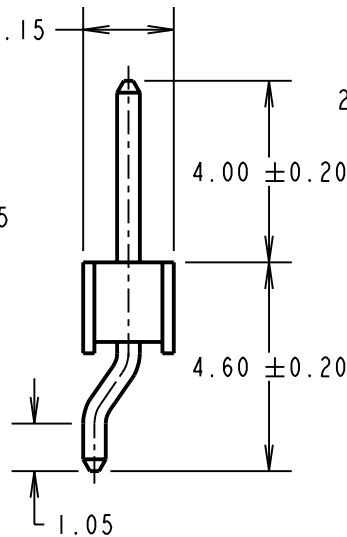
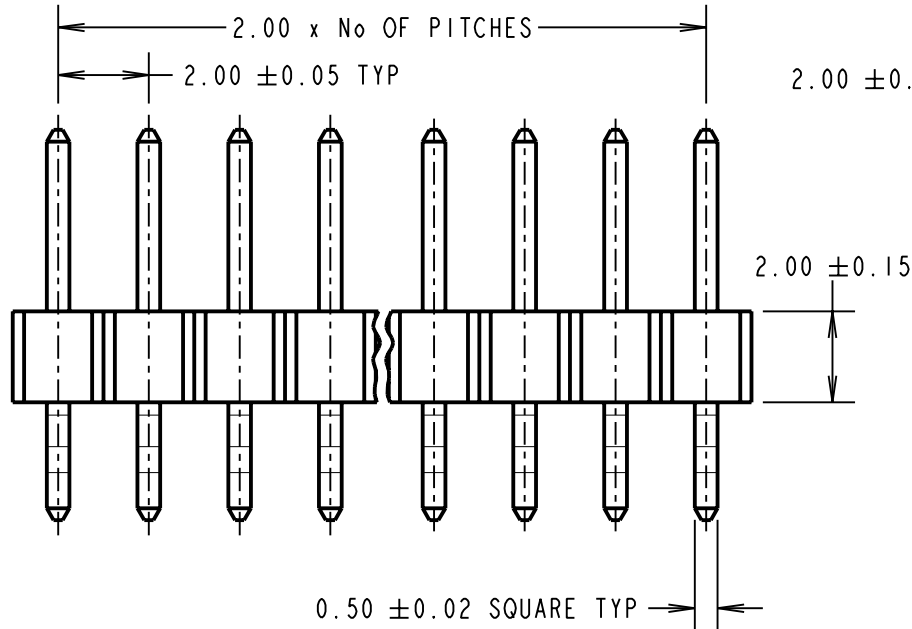
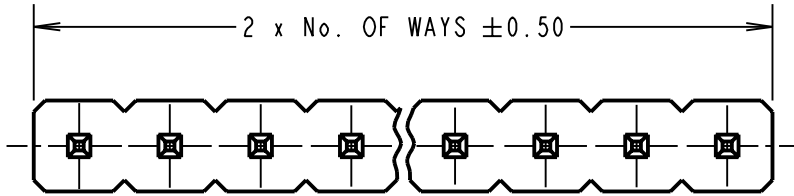
DIELECTRIC STRENGTH = 500V AC/MINUTE

ENVIRONMENTAL:

TEMPERATURE RANGE = -40°C TO +105°C

PACKING: BOX

FOR COMPLETE SPECIFICATION, SEE COMPONENT SPECIFICATION C018XX (LATEST ISSUE)



CP	3	18.09.09	10497
NAME	ISS.	DATE	C/NOTE
APPROVED: C.PENROSE			
CHECKED: R.ADDE			
DRAWN: J.EVANS			
CUSTOMER REF.:			
ASSEMBLY DRG:			

HARWIN

THIS DRAWING AND ANY INFORMATION OR DESCRIPTIVE MATTER SET OUT HEREON ARE CONFIDENTIAL AND COPYRIGHT PROPERTY OF THE HARWIN GROUP AND MUST NOT BE DISCLOSED, LOANED, COPIED OR USED FOR MANUFACTURING, TENDERING OR FOR ANY OTHER PURPOSE WITHOUT THEIR WRITTEN PERMISSION.

TOLERANCES

X. = ±1mm
 X.X = ±0.25mm
 X.XX = ±0.10mm
 X.XXX = ±0.01mm
 ANGLES = ±5°
 UNLESS STATED

MATERIAL:

SEE ABOVE

FINISH:

SEE ABOVE

S/AREA:

mm²

TITLE:

2.00mm PITCH SIL HORIZONTAL SMT PIN HEADER ASSEMBLY

DRAWING NUMBER:

M22-533XX05

SHT
2 OF 2

HARWIN USA
 TEL: 603 893 5376
 FAX: 603 893 5396
 mis@harwin.com

HARWIN Europe (UK)
 TEL: 023 9231 4545
 FAX: 023 9231 4590
 mis@harwin.co.uk

HARWIN Asia
 TEL: +65 6 779 4909
 FAX: +65 6 779 3868
 mis@harwin.com.sg